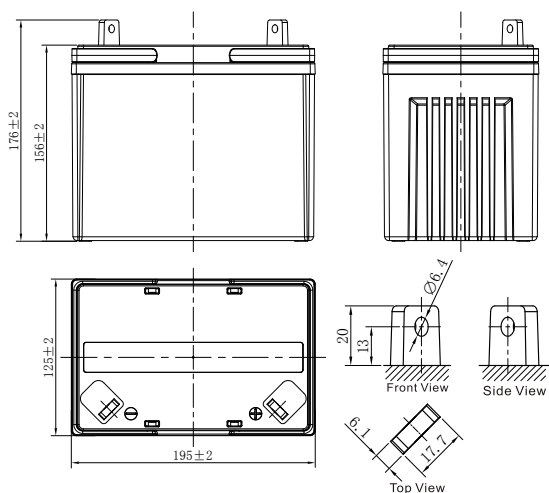


### 75576 GLOBAL U1R UTILITY AGM (12V20Ah)



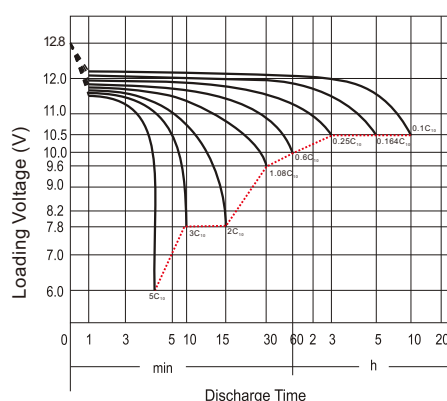
#### Specifications

Nominal Voltage	12V	
Nominal Capacity (10HR)	20Ah	
Cold Cranking Performance Amps@0°F (-18°C)	300A	
Dimension (±2mm)	Length	195mm
	Width	125mm
	Container Height	156mm
	Total Height	176mm
Battery (with acid)	Approx Weight	6.65kg
Terminal type	G	
Battery type	Factory Activated Series	
Full Charge	Constant-Voltage Charge:	
	Initial charging current	Less than 0.3C <sub>10</sub>
	Voltage	14.40V~15.00V at 25°C
	Charging time	15~18h
	Constant-Current Charge:	
	Charging current 0.1C <sub>10</sub> , when charging voltage up to 14.40V, continue to charge 4h	
Floating Charge	Initial charging current	Unlimited
	Voltage	13.50V~13.80V at 25°C
Capacity affected by Temperature	40°C	106%
	25°C	100%
	0°C	86%
	-15°C	65%

#### General Features

- Maintenance-free
- Sealed and non-spillable AGM battery
- Shipped pre-charged and ready to install

#### Discharge Characteristics (25°C)



\*Values are subject to variation of +/- 5% in normal manufacturing processes.